



NCAS

Unified Model Introduction

Summary of the exercises

University of Reading, 7-9 November 2018

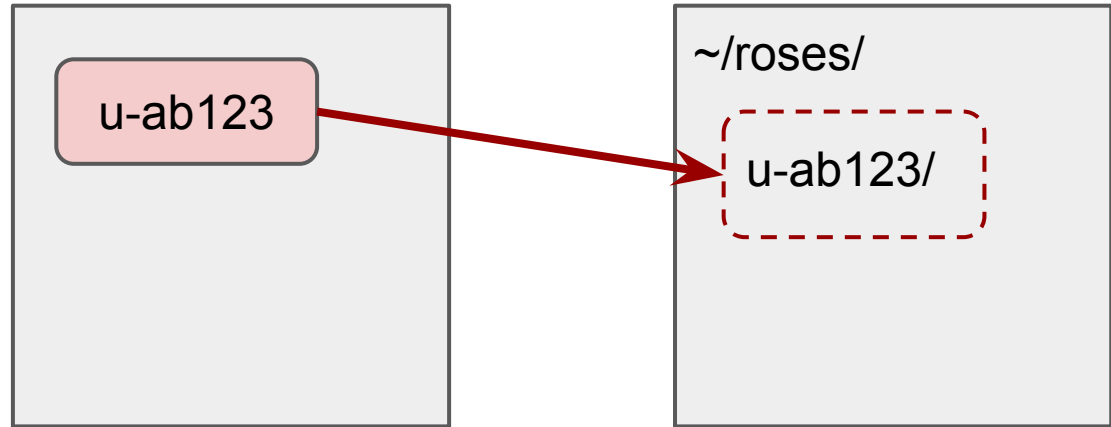
Double click in
rosie go

rosie checkout

- Pulls files into local directory.
- Does not alter repository

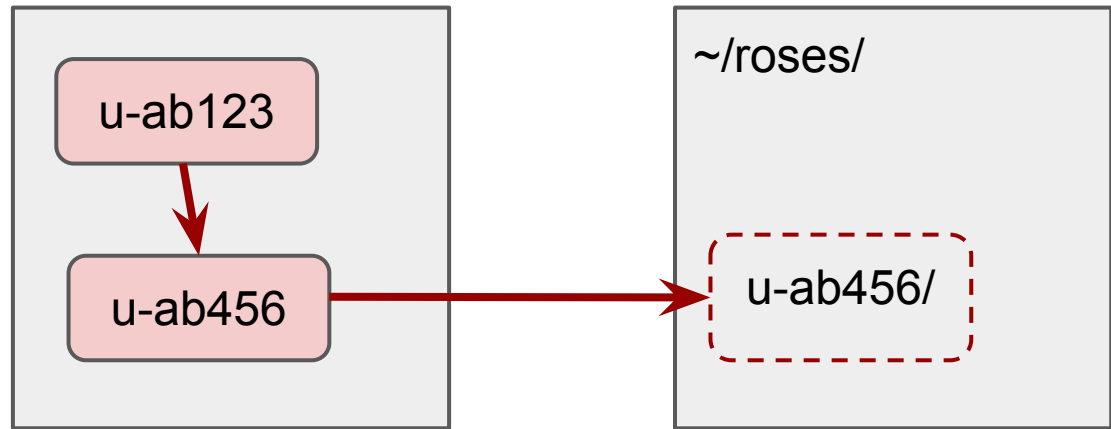
Suite repository

PUMA directory



rosie copy

- Creates a new identical item in the repository.
- *And* pulls files to local directory.



PUMA

Checkout/copy suite →

- Creates ~/roses/<suite-id>/
- Make changes to these files

Submit suite →

- Creates ~/cylc-run/<suite-id>/
- This includes suite files (from roses) plus
 - Output from tasks that run on PUMA (fcm_make)
 - Logs from all tasks (copied from ARCHER)
 - Suite logs

ARCHER

- Creates ~/cylc-run/<suite-id>/
- This includes suite files plus
 - Output from ARCHER tasks (fcm_make2, recon, atmos) in share/ work/
 - Logs (job.out/job.err) from ARCHER tasks

Monsoon2 / NEXCS

Rose VM (exvmsrose)

Checkout/copy suite
Make changes to these files

Submit suite

HPC (xcs-c)

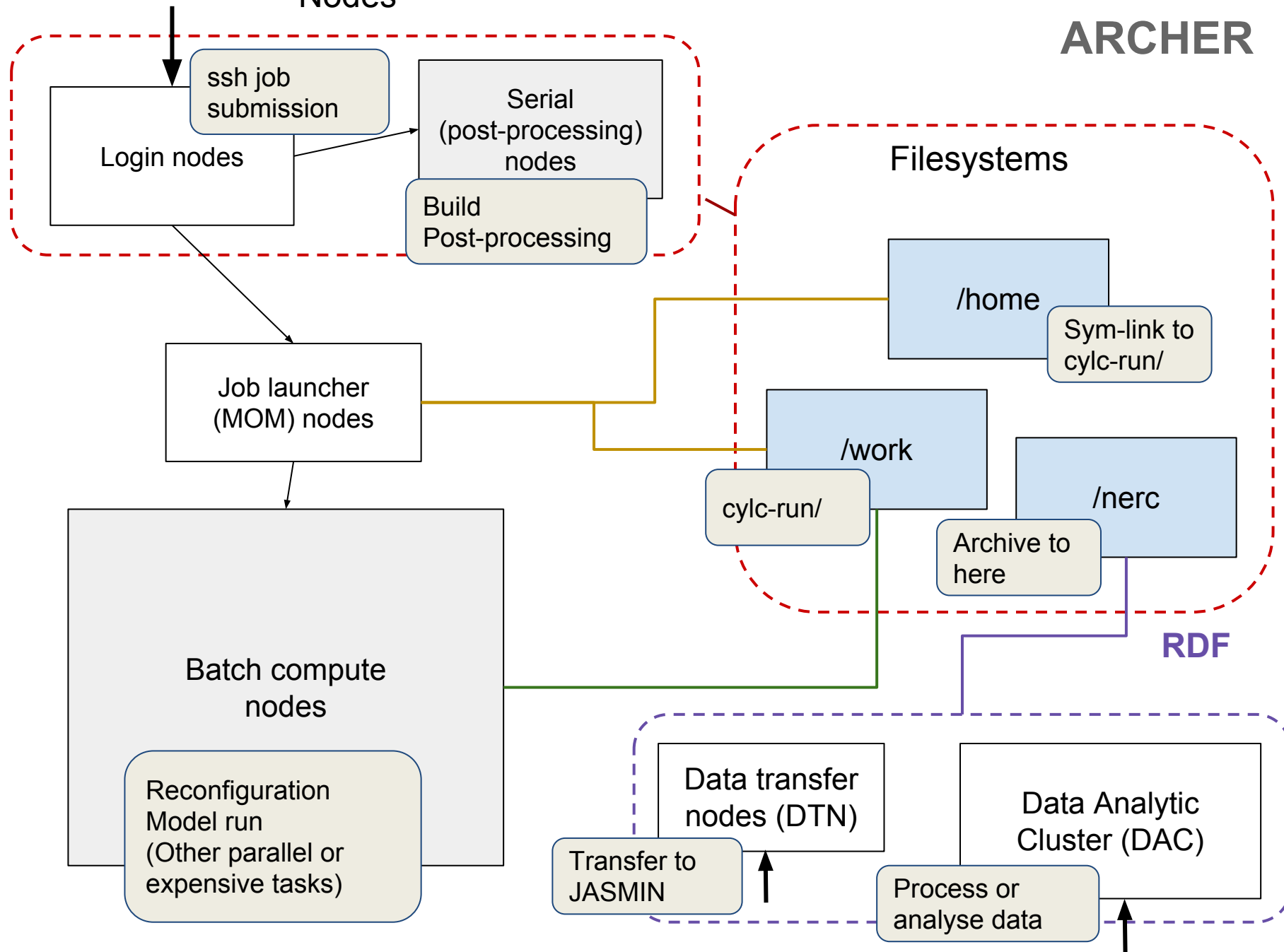
Output from tasks

Shared filesystem

- Creates
~/roses/<suite-id>/
- Creates
~/cylc-run/<suite-id>/
- This includes suite files
(from roses) plus
 - Output from all tasks
 - Logs from all tasks
 - Suite logs

Nodes

ARCHER



Monsoon 2 NEXCS

